

Xpanda

SECURITY

All steel security products



FIXED BOLLARDS



XPANDASTRONG

Instagram #Xpandastrong

www.xpanda.co.nz

Fixed Bollards - Galvanised or Stainless Steel

Fixed bollards are designed and used as permanent solid fixtures to prevent ram raids. The diameter of the bollards are determined by the risk factor pertaining to the premises to be protected. All sentry style bollards are concreted into the ground to a depth of 400mm. The standard height above ground for fixed bollards is 900mm. The bollards are then filled with concrete to almost the top which greatly increases the impact protection. A matching galvanised cap is installed on top to give a pleasing finish to the bollard.

Xpanda manufactures Galvanised fixed bollards in Either 114mm or 150mm diameter and depending on your needs we may specify one or the other.

Our Stainless Steel fixed bollards are available in 150mm diameter.

When should we choose Fixed Bollards?

Fixed bollards should be used in places where you don't need removeable bollards for access, fixed bollards are a more cost-efficient option.

Galvanised are cheaper and stronger but Stainless looks better.

They are much stronger than bolt-down bollards.

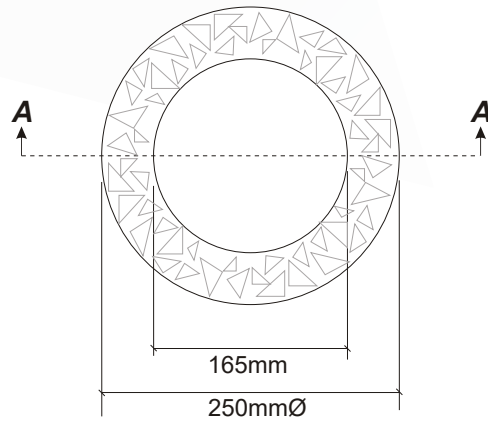
Bollards can be powder coated, prior to installation, to suit specific requirements of branding or just to suit the building better.

- Visual and effective deterrent
- Great impact strength
- Corrosion resistant finish
- Powder coating optional to a colour of your choice
- Insurance approved



Fixed Bollards - Installation Details

Finished Plan



Complete Installed Section A-A

