

Xpanda
SECURITY
All steel security products

REMOVABLE BOLLARDS



XPANDASTRONG

 Instagram #Xpandastrong

www.xpanda.co.nz

Removable Bollards - Galvanised or Stainless Steel

Xpanda Security supplies and installs removable security bollards in either galvanised or stainless steel.

Removable bollards are usually installed to firstly provide protection and secondly, to facilitate unobstructed access when this is required. These security bollards are commonly installed in front of roller door openings, shop entrances, hallways and driveways. A galvanised receptacle is used for both the galvanised and the stainless steel bollards, and is firmly concreted into the ground.

The sentry style bollard with eyebolt is placed into the housing and the hinged cover is used as the securing hasp over the eyebolt. Once a padlock is locked through the eyebolt then the bollard is secured against removal.

When the bollard is removed for accessibility, then the hinged cover is closed over the aperture allowing for a safe environment.

When should we choose Removable Bollards?

Removable bollards should be used in places where you need access for goods or vehicles, especially near loading docks, double doorways, and other sites that require temporary access. This enables you to tailor your security measures to individual events or operational needs.

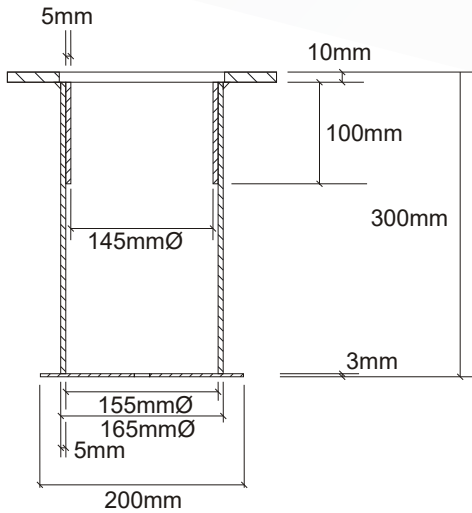
Galvanised are cheaper and stronger but Stainless looks better. Bollards can be powder coated, prior to installation, to suit specific requirements of branding or just to suit the building better.

- Removable for easy access
- Visual and effective deterrent
- Great impact strength
- Corrosion resistant finish
- Powder coating optional to a colour of your choice
- Insurance approved

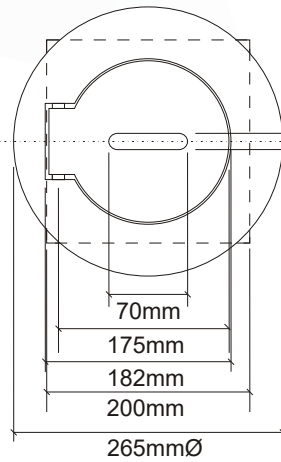


Removable Bollards - Installation details

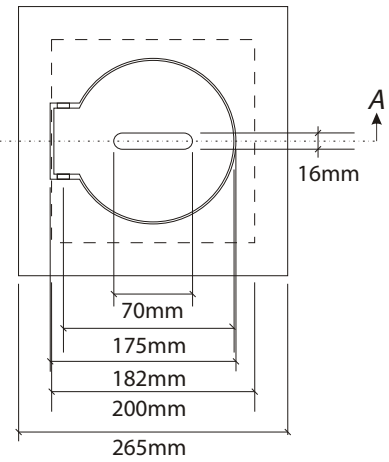
Base T ube
Section A-A
(no lid insert)



Round Base
(Concrete)
(with lid)



Square Base
(Asphalt)
(with lid)



Complete
Installed
Section A-A

