



INVISI-GUARD

CLEAR POLYCARBONATE SLATS



XPANDASTRONG

 Instagram [#Xpandastrong](https://www.instagram.com/xpandastrong)

www.xpanda.co.nz

Clear Polycarbonate Slats - INVISI-GUARD

Introducing Invisi-Guard: The Stylish Security Solution for Windows and Shop Counters.

Don't want bulky steel bars that block your view and make your shop look like a prison?

Xpanda's innovative Invisi-Guard offers a game-changing security solution without sacrificing strength. Invisi-Guard features virtually unbreakable, 10mm thick x 50mm wide, clear polycarbonate slats passing through a sleek steel frame. This creates a powerful barrier that deters intruders while maintaining a clear, unobstructed view.

Here's why Invisi-Guard is the perfect choice for your windows or shop counters:

Unmatched Security:

Invisi-Guard's polycarbonate slats are incredibly strong and resist forceful attacks, providing similar protection to steel bars.

Superior Aesthetics:

The crystal-clear design allows for maximum light penetration, keeping your shop feeling open and inviting.

Concealed fixings:

Invisi-Guard is firmly fixed to [window] frames but fixings are concealed so they cannot be attacked. All slat to steel upright junctions are fixed on the back, away from view.

Say Goodbye to Bars:

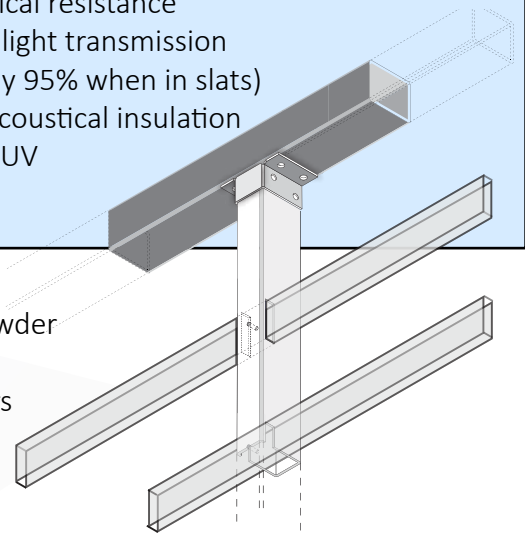
Unlike traditional steel bars, Invisi-Guard enhances your storefront's visual appeal, creating a welcoming atmosphere for customers.

Technical Specifications:

- Slats: 10mm thick x 50mm wide clear polycarb.
- End and Intermediate Supports: 35mm x 19mm steel every 8-1200mm
- Counter Surround Frame: 50mm x 50mm steel (when used on shop counter)
- Powder Coating: Available in all Dulux powder coat colours

Polycarbonate Properties:

- High abrasive resistance
- Impact resistant- virtually unbreakable
- Resistant to vandalism
- High chemical resistance
- Up to 85% light transmission (Effectively 95% when in slats)
- Excellent acoustical insulation
- Blocks out UV



Concealed Fixings



Customizable Style:

Any steel parts can be powder coated from the range of Dulux powder coat colours to perfectly match your shop's décor.

Versatile Applications:

Invisi-Guard functions flawlessly as both a security barrier for windows and an anti-jump screen for shop counters when built in a frame.

Easy Installation:

The lightweight design makes Invisi-Guard simple to install, minimizing disruption to your business.

Upgrade your security without compromising on style.

Contact Xpanda today and discover the Invisi-Guard difference!



Clear Polycarbonate Slats - INVISI-GUARD

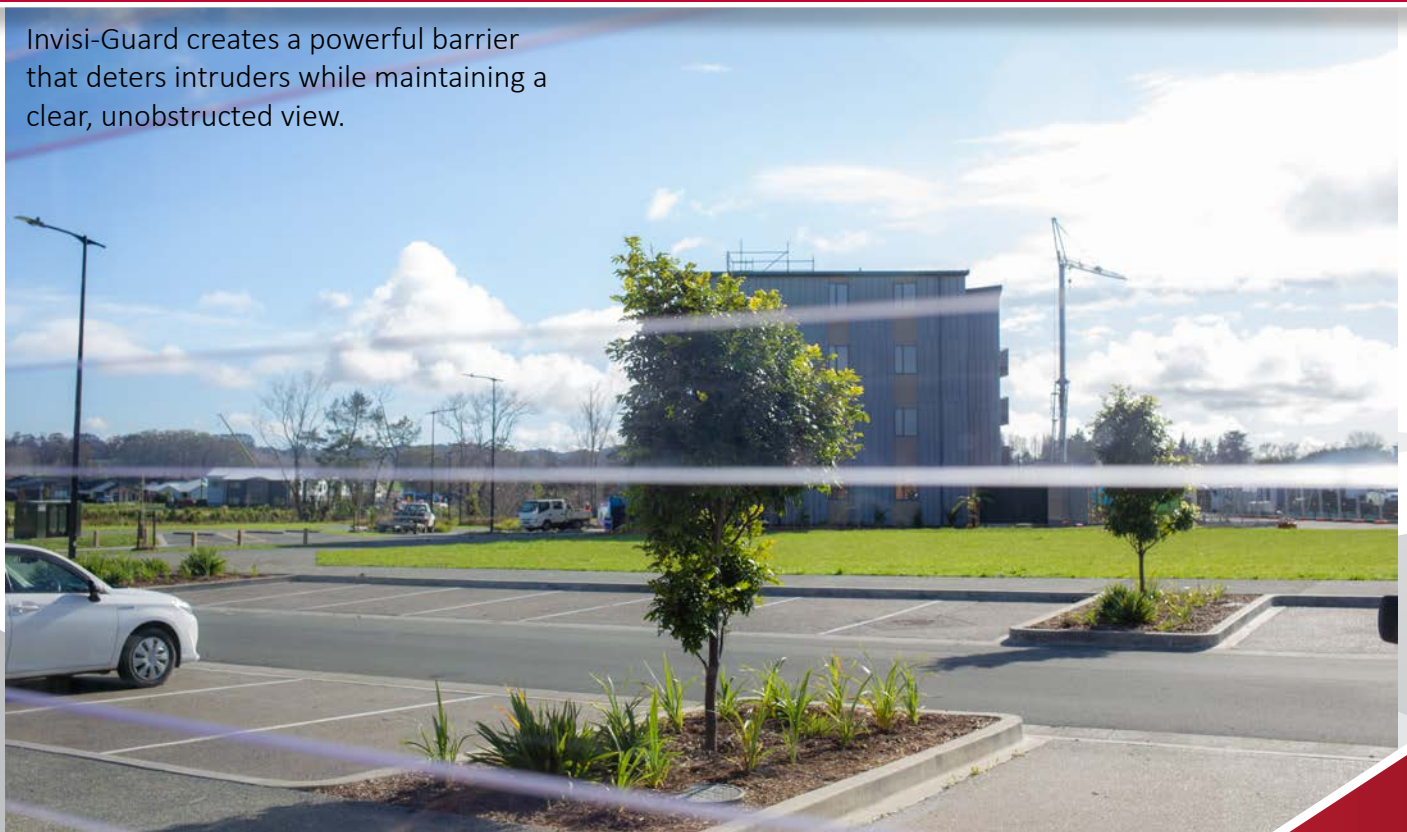
Unmatched Visual Appeal from Outside..

The crystal-clear design allows for maximum light penetration, keeping your shop feeling open and inviting.



Unobstructed View from Inside..

Invisi-Guard creates a powerful barrier that deters intruders while maintaining a clear, unobstructed view.



Call us: 0800 334 335

www.xpanda.co.nz